



## CSH-2285R

标准型高压三相步进驱动器

用户手册

以匠心质造，驱动民族工业

■ 技术源自德国  
■ 驱动民族工业



版权所有 不得翻印

【使用前请仔细阅读本手册，以免损坏驱动器】

# CSH-2285R

110V~245VAC

CSH-2285R(110V~245VAC)

100W

120W  
40%

20%

100W

140W

**P1:SW1-SW4**

SW1~SW4

16

1.2A~8.5A



- 1
- 2
- 3

**(PUL/)**

**(DIR)/**

**(ENA)**

5V/24VDC

**P1:SW5-SW8**

SW5~SW8

16

400~60000 /



1.8

3A

0

3A

3A

0

10

2000 /

0.3A

3A

**SW9**

SW9

ON

CW/CCW

SW9

OFF

PUL/DIR

**SW10**

SW10

ON

30RPM

SW10

OFF

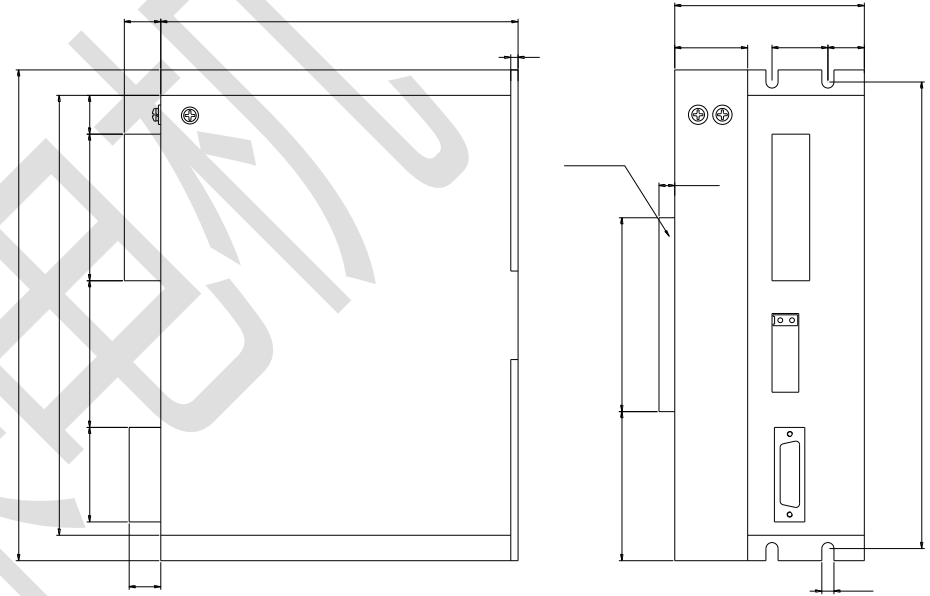
# CSH-2285R

## 标准型高压三相步进驱动器

.....	4			
1 .....	4			
2 .....	4			
3 .....	5			
.....	5			
1 .....	5	CSH-2285R	HamDerBurg	
2 .....	5			DSP
3 .....	6			
4 .....	6			
.....	7	CSH-2285R		16 16
1. ....	8			
2 .....	9			
3 .....	11			
.....	11	◆	32	DSP
.....	13	◆	<u>110~245VAC</u>	<u>1.2A~8.5A</u>
.....	14	◆	16	<u>400~60000</u> /
.....	15	◆		<u>200KHz</u>
.....	16	◆		<u>5V/24VDC</u>
		◆		30RPM
		◆		/
		◆	PID	
		◆		

	110	220	245	VAC
	1.2	-	8.5	A
	2	-	200K	Hz
	250	-	-	ns
	62.5	-	-	
	5	-	24	VDC
	7	10	16	mA
	-	110	-	VAC
	-	245	-	VAC

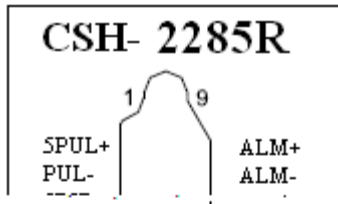
		0 ~40
		40 ~ 90%RH
		5.9 m/s <sup>2</sup> Max
	-10	+70
	1.4Kg	



1  
2

60

80



1

1	<b>U</b>	U	U/V/W N
2	<b>V</b>	V	
3	<b>W</b>	W	
4	<b>N</b>		
5	<b>~AC</b>		<b>110~245VAC</b>
6	<b>~AC</b>		<b>110~245VAC</b>

2

1	<b>5PUL</b>	5V	<b><u>DC5V</u></b>
2	<b>PUL</b>		<b><u>DC5~24V</u></b>
3	<b>5DIR</b>	5V	<b><u>DC5V</u></b>
4	<b>DIR</b>		<b><u>DC5~24V</u></b>
7	<b>5ENA</b>	5V	<b><u>DC5V</u></b>
8	<b>ENA</b>		
11	<b>RDY</b>		<b><u>DC5~24V</u></b>
12	<b>RDY</b>		
13	<b>24PUL</b>	24V	<b><u>DC24V</u></b>
14	<b>24DIR</b>	24V	<b><u>DC24V</u></b>
15	<b>24ENA</b>	24V	<b><u>DC24V</u></b>
5 6 9 10	<b>N</b>		

3)

**PWR**

**ALM**

ALM

0.5

( )

ALM

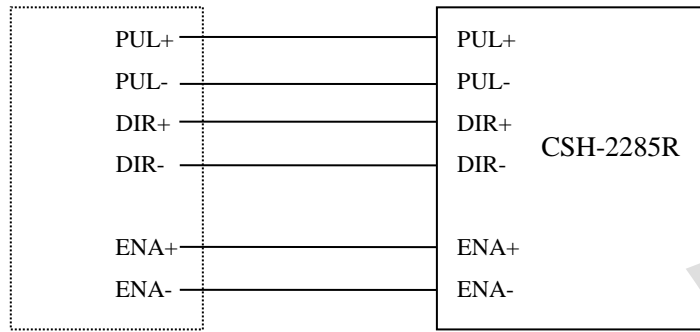
RDY

OC

30VDC,

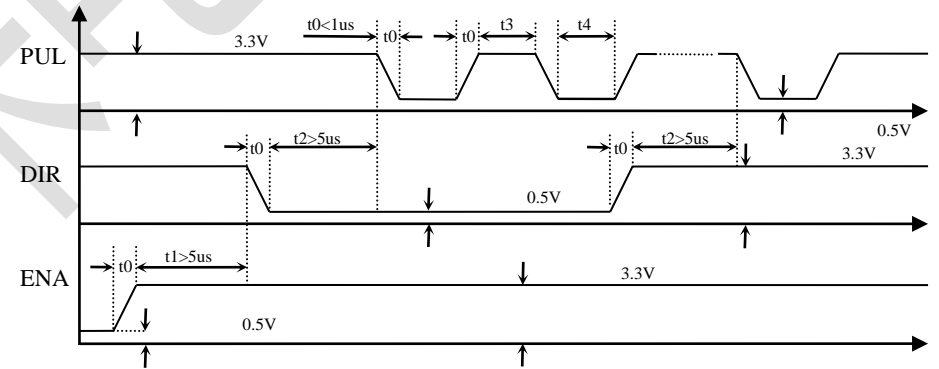
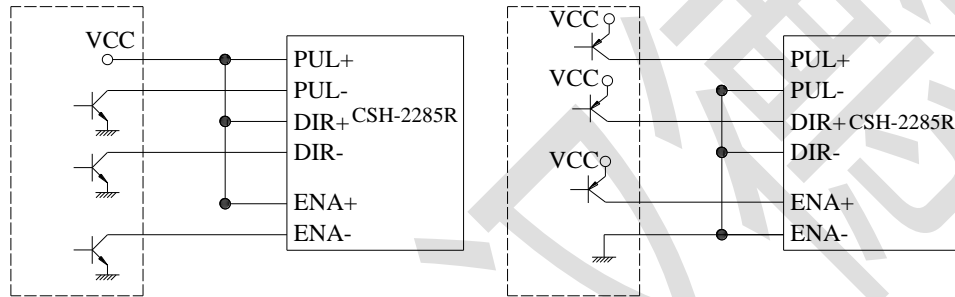
100mA.

1)



VCC 5~24VDC

R(1K~3K)



1	$t_1$	ENA	DIR	—
		ENA+	ENA-	—
2	$t_2$	DIR	PUL	—
3	$t_3$	PUL( )	—	—
4	$t_4$			—
5	$t_0$			<u>1 s</u>

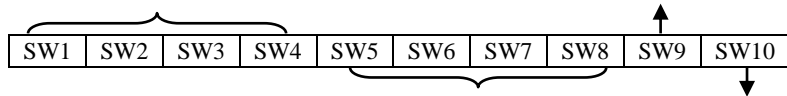


5V/24VDC

2

CSH-2285R

ON/OFF



70%

100%

80

80

2

SW5~SW8

SW5~SW8

1

SW1~SW4

CSH-2285R

SW1~SW4

16

A	SW1	SW2	SW3	SW4
1.2	OFF	OFF	OFF	OFF
1.5	OFF	OFF	OFF	ON
2.0	OFF	OFF	ON	OFF
2.3	OFF	OFF	ON	ON
2.5	OFF	ON	OFF	OFF
3.0	OFF	ON	OFF	ON
3.2	OFF	ON	ON	OFF
3.6	OFF	ON	ON	ON
4.0	ON	OFF	OFF	OFF
4.5	ON	OFF	OFF	ON
5.0	ON	OFF	ON	OFF
5.3	ON	OFF	ON	ON
5.8	ON	ON	OFF	OFF
6.2	ON	ON	OFF	ON
7.5	ON	ON	ON	OFF
8.5	ON	ON	ON	ON

/	SW5	SW6	SW7	SW8
400	ON	ON	ON	ON
500	ON	ON	ON	OFF
600	ON	ON	OFF	ON
800	ON	ON	OFF	OFF
1000	ON	OFF	ON	ON
1200	ON	OFF	ON	OFF
2000	ON	OFF	OFF	ON
3000	ON	OFF	OFF	OFF
4000	OFF	ON	ON	ON
5000	OFF	ON	ON	OFF
6000	OFF	ON	OFF	ON
10000	OFF	ON	OFF	OFF
12000	OFF	OFF	ON	ON
20000	OFF	OFF	ON	OFF
30000	OFF	OFF	OFF	ON
60000	OFF	OFF	OFF	OFF

3

SW9

SW9 ON

CW/CCW

SW9

OFF

PUL/DIR

汉德保电机



1			
2			
3			
4			
5			
6			

1 三年保修期

2 维修响应时间

7  
7

3 保修限制

24

