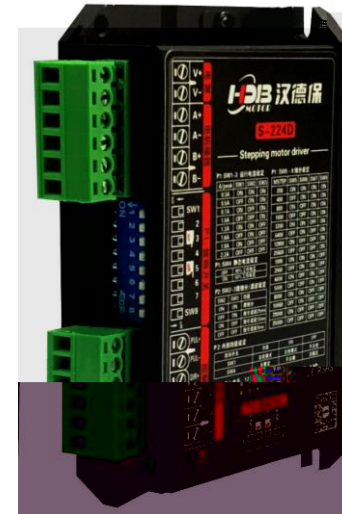




S-224D

■ 技术源自德国
■ 驱动民族工业



S-224D

SW4 ON

1

60%

36%

P1:SW5-SW8

SW5-SW8

16

200~25600 /

12~48VDC



1.8

3A

0

3A

3A

0

10 2000 /

0.3A 3A

S-224D(12~48VDC)

20%

100W

120W

40%

(PUL)/

(DIR)/

(ENA)

5V~24VDC

100W

140W



4 6 8

42mm

0.3A 2.2A

P1:SW1-SW3

SW1-SW3

8

0.3A~2.2A



P1:SW4

SW4

ON

1

2

3

4

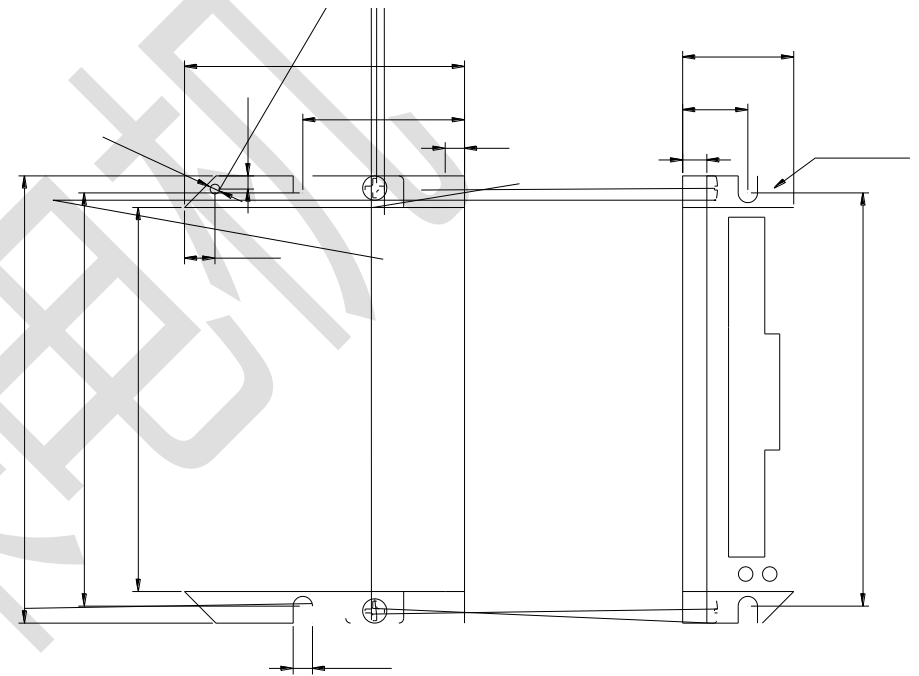
50%

OFF

90%

	12	24	48	VDC
	0.3	-	2.2	A
	2	200K	500K	Hz
	250	-	-	ns
	62.5	-	-	
	3.3	5	28	VDC
	7	10	16	mA
	-	11	-	VDC
	-	41	-	VDC

		0 40
		40 90%RH
		5.9 m/s ² Max
		-10 +70
		0.12Kg



1
2

60

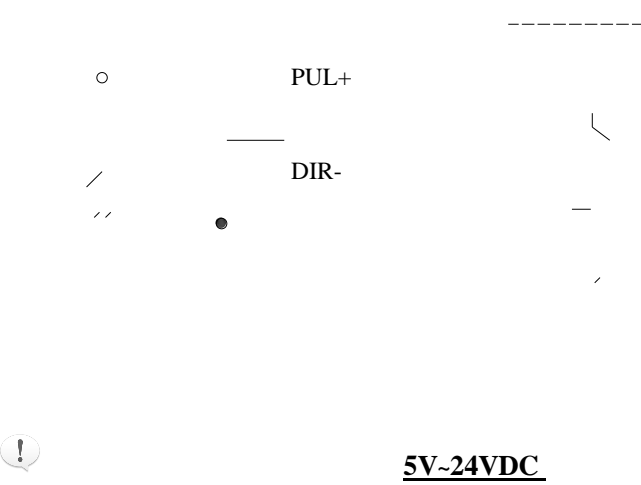
80

1

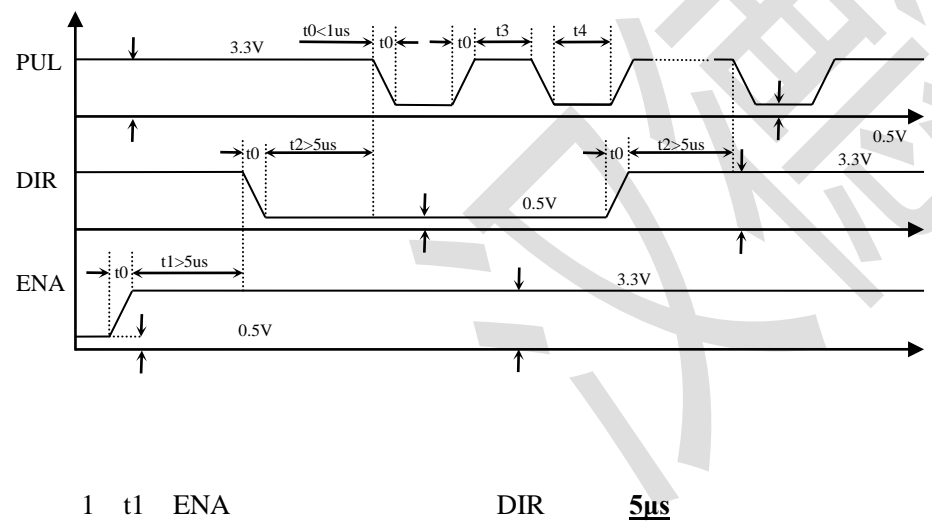
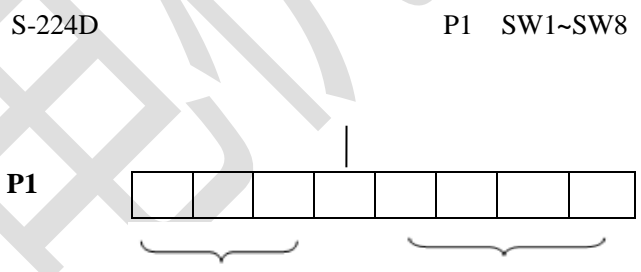
1	V+		<u>+12VDC~ +48VDC</u>
2	V-		0V
3	A+	A	A A
4	A-	A	
5	B+	B	
6	B-	B	

2

1	PUL+		<u>DC5~24V</u>
2	PUL-		<u>DC5~24V</u>
3	DIR+		DC5~24V



- 2 t2 DIR ENA+ ENA- PUL 5μs
- 3 t3 PUL() 2.5μs
- 4 t4 2.5μs
- 5 t0 1μs



1 P1:SW1~SW3

P1:SW1~SW3		8		
	A	SW1	SW2	SW3
	0.3	ON	ON	ON
	0.5	OFF	ON	ON
	0.7	ON	OFF	ON
	1.0	OFF	OFF	ON
	1.3	ON	ON	OFF
	1.6	OFF	ON	OFF
	1.9	ON	OFF	OFF
	2.2	OFF	OFF	OFF

2

P1:SW4

		ON	OFF
SW4		50%	90%

P1:SW4

1s

3

P1:SW5~SW8

/	SW5	SW6	SW7	SW8
200	ON	ON	ON	ON
400	OFF	ON	ON	ON
800	ON	OFF	ON	ON
1600	OFF	OFF	ON	ON
3200	ON	ON	OFF	ON
6400	OFF	ON	OFF	ON
12800	ON	OFF	OFF	ON
25600	OFF	OFF	OFF	ON
1000	ON	ON	ON	OFF
2000	OFF	ON	ON	OFF
4000	ON	OFF	ON	OFF
5000	OFF	OFF	ON	OFF
8000	ON	ON	OFF	OFF
10000	OFF	ON	OFF	OFF
20000	ON	OFF	OFF	OFF
25000	OFF	OFF	OFF	OFF

4

P2:SW1~SW4

S-224D

P2: SW1~SW4

P2:



P2:SW1

SW1 ON

30RPM

2 ,

SW1 OFF

P2: SW2~SW3

/	SW2	SW3
	ON	ON
25ms	OFF	ON
12ms	ON	OFF
6ms	OFF	OFF

P2:SW4

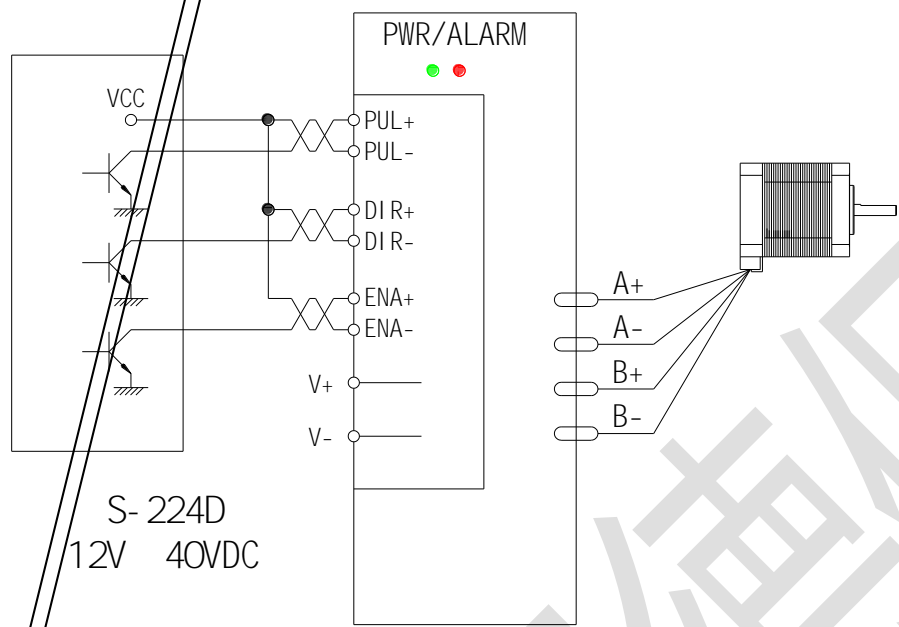
SW4 ON

SW4 OFF



S-224D

4



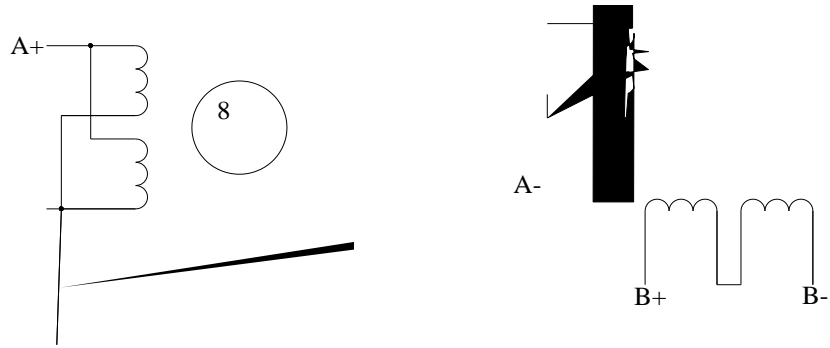
S- 224D
12V 40VDC

S-224D(12 48VDC)

1

60

8



	70%	
	1.4	

S-224D

0.3A 2.2A

4 6 8

42mm

1			
2			
3			
4			
5			
6			

4

<http://www.hardboy.net>

1

2

3

7

7

24